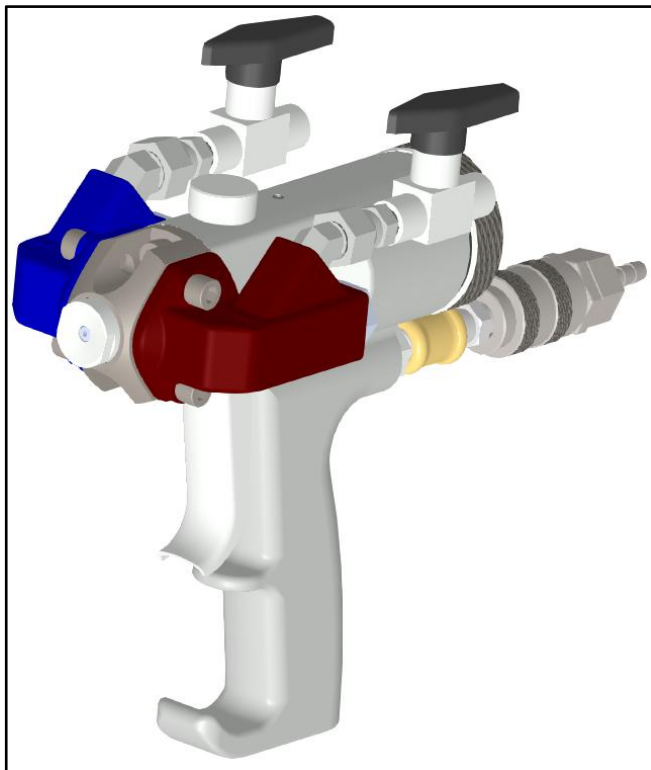


C-S 03-X

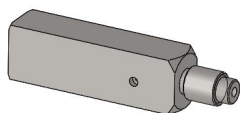
Reliable and economic

Spray gun for projection and casting of polyurethane and polyurea.

- Economic, light and compact design.
- Less moving parts than other spray-guns on the market.
- Ergonomic handle and trigger.
- Advanced design for good fan projection and mix.
- Different sizes of mixing chambers.
- Easy assembly and disassembly.
- Easy acces to product filters.
- Simple and economical maintenance.
- CE certificate.
- Well balanced and easy to handle.
- Allows the use of accessories.
- Easy daily maintenance.
- Easy to replace mixing chamber.
- Own design and manufacturing.



SOLIDWORKS



Different sizes of mixing chambers



Easy acces to product filters

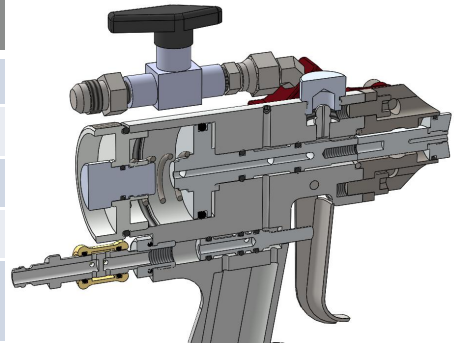


Easy to handle

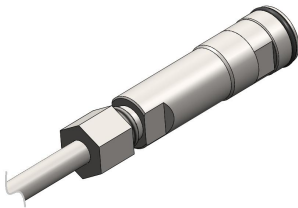


Made in CE

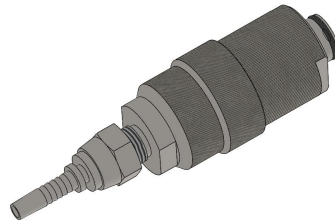
Model	C-S 03-X
Weight	2,9 lb (1,3 Kg)
Maximum working pressure	2900 psi (200 bar)
Maximum air pressure	101 psi (7 kg/cm ²)
Production	1-55 lb/min (1-25Kg/min)
Dimensions (length x width x height)	7.9 x 8.1 x 3.7 in (200x205x95 mm)



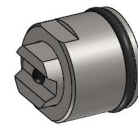
Accessories



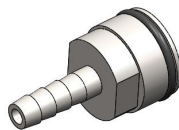
Static mixer



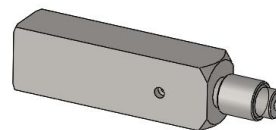
Optional mixer



Fan sprayer



Nipple
conection



Mixing
chambers

Characteristics

Reduced weight: 2,9 lb.

Spray gun for projection and casting of polyurethane and polyurea.

Fewer parts than other spray guns.

Low weight and ergonomics of the spray-gun reduce fatigue during the application.

Different chamber sizes for different flow rates.

Different accessories for fan projection and product mixers.

Easy assembly and disassembly.

The spray-gun is equipped with connections of different sizes to avoid incorrect connections.

Optional Equipment

Spray equipment
Transfer pumps
Air compressors

Spray gun accesories
Heated hoses
Air driers

Recirculation kits
Drum heating bands
Generators